

SRP-380

3 inch POS printer



Retail



Hospitality



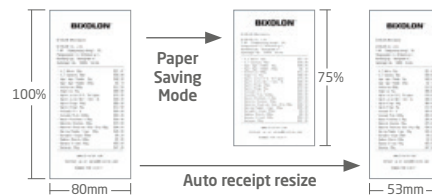
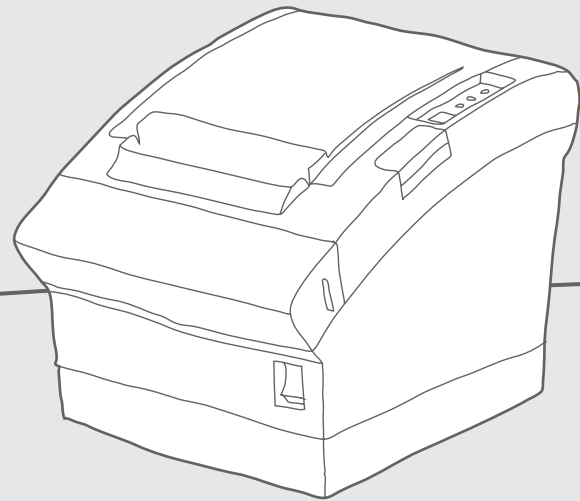
Ticketing



Kiosk

Ultra Reliable

Long-term limited warranty



Easy Tracking™



Ensuring Business Continuity

- Long-term limited warranty
- High reliability of 250km TPH with its auto cutter guaranteed up to 3 million cuts
- Fast speed printing of up to 350 mm/sec, 17% faster than other comparable models
- USB V2.0 + Serial, Ethernet, Powered USB, Bluetooth or WLAN

Cost-efficiency

- Various software and firmware settings for paper saving functions
- Paper saving mode, reducing the length of a receipt up to 25%
- Auto receipt resize, 80 - 58mm auto paper reduction function
- Anywhere Anyfont™ (Unicode) removes the need to write multiple code pages for every language
- Compatible with all major operating systems including Android™, iOS™ and Windows® (Apple® MFi certified model)

Low Maintenance

- Life time indicator enables to check TPH and Auto cutter's life with self-test printing via statistic data
- Easy Tracking™ supports a QR code linking to the technical support micro site on a unique label plate found on the bottom of the printer.

BIXOLON®
a Better Solution for your Business™

asp
.com .au

SRP-380

3 inch POS printer

Specifications

Print Characteristics

Print Method

Direct Thermal

Print Speed

350 mm/sec

Print Resolution

SRP-380: 180 dpi

SRP-382: 203 dpi

Print Width

Up to 72 mm

Sensor

Paper End, Paper Near End, Cover Open

Media Characteristics

Media Type

Receipt

Media Width

80 mm

58 mm (with 2 inch Partition)

Media Roll Diameter

Up to 83 mm

Media Thickness

0.062 ~ 0.075 mm

Supply Method

Easy Paper Loading

Physical Characteristics

Dimensions (WxLxD)

147 x 200 x 148 mm

(5.70 x 7.87 x 5.82 inch)

Weight

1.56 kg(3.43 lbs)

Power

EnergyStar Certified,

External Power Adaptor 100-240V AV, 50/60Hz

Drawer Port

2 ports (via y-type adaptor)

Performance Characteristics

Memory

128 Mbit SDRAM, 64 Mbit FlashROM

NV Image Memory

768 Kbytes (mono)

Receive Buffer

4 Kbytes

User Define Buffer

12 Kbytes

Interface

Dual Interface

USB V2.0 FS + Ethernet / Serial / Dual Serial / WLAN* / Bluetooth V2.1+ EDR** / powered USB

*WLAN: 802.11b/g/n

**Bluetooth: Class 1 (100 m), MFi certified

Environment Characteristics

Temperature

Operating: 0 ~ 40°C (32 ~ 104°F)

Storage: -20 ~ 60°C (-4 ~ 140°F)

Humidity

Operating: 10 ~ 80% RH

Storage: 10 ~ 90% RH

Reliability

Thermal Print Head (TPH)

250 km ***

Auto Cutter

3 Million Cuts ***

***** Specified Paper**

- TF50KS-E (Paper thickness: 65µm)

: Nippon Paper industries Co., Ltd.

- PD 150R (Paper thickness: 75µm)

: New Oji Paper Mfg, Co., Ltd

- PD 160R (Paper thickness: 75µm)

: New Oji Paper Mfg, Co., Ltd.

- P350 (Paper thickness: 62µm)

: Kansaki Specialty Paper, Inc. (USA)

Software

Emulation

BXL / POS

Driver / Utility

Windows Driver, OPOS Driver, JPOS Driver,

Linux / Mac CUPS Driver,

Virtual COM USB/Ethernet Driver, Utility Program

SDK

iOS SDK, Android SDK, Windows SDK,

Windows Runtime SDK

Fonts / Graphics / Symbologies

Character Size

Font A: 12 x 24 Font B: 9 x 17 Font C: 9 x 24

KOR, CHN, JPN: 24 x 24

Characters Per Line

SRP-380: Font A: 42 Font B, C: 56 KOR, CHN, JPN: 21

SRP-382: Font A: 48 Font B, C: 64 KOR, CHN, JPN: 24

Character Sets

Alphanumeric: 95

Extended Graphics: 128 x 35 page

International: 32

Unicode : UTF-8, UTF-16, UTF-32

Graphics

Supporting user-defined fonts, graphics, formats, and logos

Barcode Symbologies

1D: Coda Bar, Code 39, Code 93, Code 128, EAN-8, EAN-13, ITF, UPC-A, UPC-E

2D: Data Matrix, GS1-128, GS1 DataBar Stacked / Omnidirectional / Truncated / Limited / Expanded, PDF417, QR code



BR-SRP-380-EN-FEB16-V1

Copyright © BIXOLON Co., Ltd. All rights reserved. Features and specifications are subject to change without prior notice.

BIXOLON®

asp
.com .au

BIXOLON Co., Ltd.
+82 (0) 31 218 5500
sales@bixolon.com

BIXOLON America Inc.
+1 858 764 4580
sales@bixolonusa.com

BIXOLON Europe GmbH
+49 211 68 78 54 0
sales@bixolon.de

www.bixolon.com



ASP Microcomputers
456 North Road, Ormond VIC 3204
Ph: 03 9578 7600 Fax: 03 9578 7727
Email: solutions@asp.com.au
www.asp.com.au