

SlimScan BT™

Cordless Bluetooth Laser Scanning

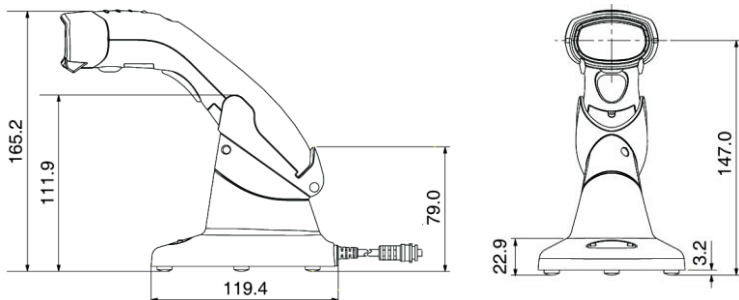


Meet the latest high performance Bluetooth scanner in the ASP family – the SlimScan BT™. This sleek and stylish Bluetooth 'single-line' laser scanner offers total freedom of movement. Suitable for a wide range of applications and environments, you will be delighted by its performance and ease of use.

No need for any other Bluetooth devices (such as dongles) to get going, as the cradle connects to the PC and the scanner communicates to the cradle wirelessly.

The SlimScan BT™ has a scan range back to the host cradle of up to 100 metres via Bluetooth wireless transmission. It also has a 32k embedded flash memory. Should you be out of range, it will retain the data until you come into range again for transmission.

Lightweight, yet durable and streamlined, the ASP SlimScan BT™ delivers hassle-free operation, even during peak use. Its scanning sensitivity and accuracy really helps with worn or difficult to read barcodes. The SlimScan is available, as standard in black, (or beige on special order) and also as a corded (non Bluetooth) model.



SPECIFICATIONS

ELECTRICAL

| | |
|-------------------|-----------------------------------|
| System interfaces | RS232, KBW, USB |
| Input Voltage | 9V DC 1A |
| Battery | 2 AA NiMH rechargeable batteries |
| Battery Life | Up to 24,000 scans at full charge |
| Recharge time | 5 Hours (max.) |

OPERATIONAL

| | |
|-------------------|-------------------------------------|
| Light Source | 650 nm visible laser diode (VLD) |
| Depth of Field | 50cm for UPC/EAN 100% |
| Width of Field | Up to 50cm |
| Minimum Bar Width | 5mil @PCS 90% (0.1mm actual) |
| Print Contrast | 30% @UPC/EAN 100% |
| Indicators (LED) | Three-colour LED (green, red, blue) |
| Beeper Operation | Programmable tone and beep time |

PHYSICAL

| | |
|--------------|--|
| Height | 165 mm |
| Depth | 175 mm |
| Width | 92 mm |
| Weight | 200g (stand excluded), 563g (with stand) |
| Cable Length | 2m straight |

RADIO COMMUNICATIONS

| | |
|---------------|--|
| Protocol | Bluetooth 1.2 Serial Protocol Profile (SPP) |
| Frequency | 2.4 - 2.48 GHz |
| Working Range | Class 1. Up to 100m (depends on the operating environment) |

REGULATORY

| | |
|-------------|-----------------------------------|
| Laser Class | CDRH Class II; IEC 60825-1 class1 |
| EMC | CTick, CE & FCC compliant |
| Radio | FCC TCB EN 300 328, ARIB STD-T66 |

ENVIRONMENT

| | |
|-------------------------|-------------------------------|
| Operating Temperature | 0°C to 40°C |
| Storage temperature | -20°C to 60°C |
| Humidity | 5% - 90% RH (non condensing) |
| Ambient Light Injection | 4,500 LUX |
| Shock | Designed to withstand 1m drop |

- **Perfectly suited to retail and general purpose applications. For libraries, it reads ISBN/SCIS and 13 digit ISBN**
- **Backed by three year factory warranty***
- **Aggressive and precise laser scanning**
- **Bluetooth certified with up to 100 metre range**
- **Multi interface base station**
- **User replaceable NiMH batteries with up to 24,000 scans per charge**

* excludes cable and rechargeable batteries

Our Innovation - Your Edge™

ASP MICROCOMPUTERS 456 North Road, ORMOND VIC 3204

T: 03 9578 7600 F: 03 9578 7727 Toll Free 1800 061 642

E: solutions@asp.com.au W: www.asp.com.au

SlimScan and SlimScan BT are Trademarks of ASP Microcomputers
The Bluetooth trademarks are owned by Bluetooth SIG inc.
Specifications subject to change without notice (E&OE) 0110



Data Technology
Hardware • Software
Design • Consulting