

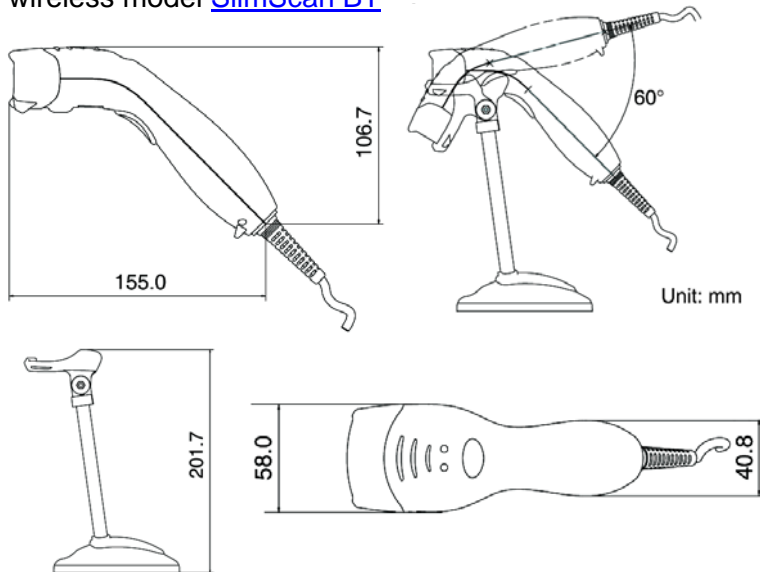
# SlimScan™

## Laser Scanning Precision



Meet the latest high performance laser scanner in the ASP family – the SlimScan™. This sleek and stylish 'single-line' laser scanner will read almost any barcode. Suitable for a wide range of applications and environments, you will be delighted by its performance and ease of use.

Lightweight, yet durable and streamlined, the ASP SlimScan™ delivers hassle-free and hands free operation, even during peak use. Its scanning sensitivity and accuracy really helps with worn or difficult to read barcodes. The SlimScan is available as standard in black (or beige on request) and also available as a Bluetooth wireless model [SlimScan BT™](#)



SPECIFICATIONS	
<b>ELECTRICAL</b>	
System interfaces	RS232, KBW, USB
Input Voltage	5V DC +/- 10%
Power Consumption	1.0 Watt
Operating Current	200mA
<b>OPERATIONAL</b>	
Light Source	650 nm visible laser diode
Depth of Field	3 - 20cm for UPC/EAN 100%
Scan Angle	52 Deg
Minimum Bar Width	5mil @PCS 90% (0.1mm actual)
Print Contrast	30% @UPC/EAN 100%
Indicators (LED)	Three-colour LED (green, red, blue)
Beeper Operation	Programmable tone and beep time
Pitch/Roll/Skew Angle	65/30/65 Deg
<b>PHYSICAL</b>	
Height	106 mm
Depth	155 mm
Width	58 mm
Weight	148g (stand excluded)
Cable Length	2m straight
<b>REGULATORY</b>	
Laser Class	CDRH Class IIa; IEC 60825-1 Class1
EMC	CTick, CE & FCC compliant
<b>ENVIRONMENT</b>	
Operating Temperature	0°C to 40°C
Storage temperature	-20°C to 60°C
Humidity	5% - 90% RH (non condensing)
Ambient Light Injection	4,500 LUX (fluoro); 100,000 (sunlight)
Shock	Designed to withstand 1m drop

- Perfectly suited to Retail and general purpose applications. For libraries, it reads ISBN/SCIS and 13 digit ISBN
- Backed by a five year factory warranty\*
- Aggressive and precise laser scanning
- Multi interface including USB, Keyboard and RS232 Serial
- Durable design yet stylish to enhance your environment
- Functional hands free stand is included
- Custom logo conditionally available

\* One year warranty on cable



## Our Innovation - Your Edge™

ASP MICROCOMPUTERS 456 North Road, ORMOND VIC 3204

T: 03 9578 7600 F: 03 9578 7727 Toll Free 1800 061 642

E: [solutions@asp.com.au](mailto:solutions@asp.com.au) W: [www.asp.com.au](http://www.asp.com.au)

SlimScan and SlimScan BT are Trademarks of ASP Microcomputers  
Specifications subject to change without notice (E&OE) 0707

